

GV-MFD110 1.3M H.264 Color Mini Fixed Dome



- 1.3 Megapixel Progressive Scan CMOS
- Built-in Web server for monitoring through IE browser
- Dual video streams from two of H.264, MJPEG and MPEG4
- Up to 15 frames per second in megapixel resolution (1280 x 1024)
- Built-in microphone
- Active Tampering alarm
- Motion detection triggering actions like image upload
- Privacy mask
- IP address filtering
- 3GPP/ISMA
- PoE (Power over Ethernet)
- Megapixel and IR lens included

Models

- GV-MFD110 (1A1)
- GV-MFD110 (1B1)
- GV-MFD110 (1C1)

Active Tampering Alarm

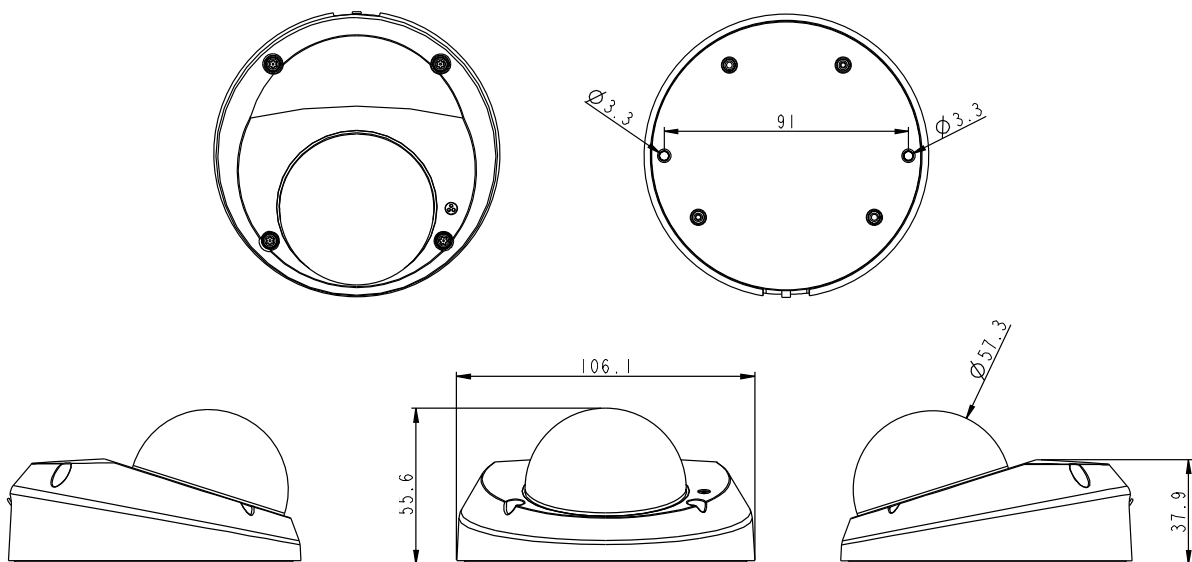
Tampered



Focus Change



Camera Shift



SPECIFICATIONS

Models	GV-MFD110 (1A1)	GV-MFD110 (1B1)	GV-MFD110 (1C1)
Camera			
Image Sensor	1/3" progressive scan CMOS		
Picture Elements	1280 (H) x 1024 (V) , 1.3M CMOS		
Minimum Illumination	0.5 lux at F 1.0		
Lens			
Aperture	F = 1.8	F = 1.8	F = 1.8
Lens Focal	f = 3.6 mm	f = 4.2 mm	f = 6.0 mm
Angle of View	100° (D), 77° (H), 54°(V)	89° (D), 71.2° (H), 50° (V)	60° (D), 48° (H), 34.5° (V)
Operation			
Video Codec	H.264, MPEG4, MJPEG		
Video Streaming	Dual Streams from two of H.264, MPEG4 and MJPEG		
Video Resolution	Main Streaming	1280 x 1024 (SXGA), 640 x 480 (VGA), 320 x 240 (CIF), 176 x 144	
	Sub Streaming	640 x 480 (VGA), 320 x 240 (CIF), 176 x 144	
Frame Rate	30 fps at 640 x 480 (VGA),		
	15 fps at 1280 x 1024 (SXGA)		
Image Setting	Auto Exposure, Auto White Balance, Brightness, Contrast, Sharpness, Gamma, Monochrome, Reverse, Rotate 180°, Flicker-less 50/60 Hz		
Audio Codec	G.711		
Network			
Interface	10/100 Ethernet		
Ethernet Protocol	HTTP, TCP, UDP, SMTP, FTP, DHCP, NTP, UPnP, DynDNS, 3GPP/ISMA RTSP		
Power over Ethernet			
PoE Standard	IEEE 802.3af Power over Ethernet		
PoE Power Supply Type	End-Span and Mid-Span		
PoE Power Output	Per Port 48V DC, 350mA. Max. 15.4 watts		
Mechanical			
Camera Angle Adjustment	Tilt 0 ~ 90° ; Pan -45° ~ +45°		
Ethernet	RJ-45		
Microphone	Built in		
General			
Operating Temperature	0 °C ~ 50 °C / 32 °F ~ 122 °F		
Humidity	10% to 90% (no condensation)		
Power Source	PoE		
Power Consumption	5.8W		
Certificate	CE, FCC, C-Tick, RoHS compliant		
Dimension	Ø 106 x 54.4 (mm) / 4. 2 x 2.1 (in)		
Weight	212 (g) / 7.478 (oz)		
Web Interface			
Installation Management	Web-based configuration		
Maintenance	Firmware upgrade through Web Browser		
Access from Web Browser	Camera live view, video recording, change video quality, bandwidth control, image snapshot, Picture in Picture, Picture and Picture, Privacy Mask, Visual Automation, Tampering Alarm		
Applications			
Network Storage	GV-NVR, GV-System		
3G Mobile Phone	Built-in player for 3GPP / ISMA		
Live Viewing	IE , GV-MultiView		
CMS Server support	GV-Control Center, GV-Center V2, GV-VSM		