

## GV-CA120 1.3MP H.264 WDR Advanced Cube IP Camera



- 1/2.5" progressive scan CMOS
- Dual streams from H.264 and MJPEG
- Up to 30 fps at 1280 x 1024
- Passive infrared (PIR) sensor for detecting movement and activating the alarm LED
- Two-way audio
- Built-in micro SD card slot (SD/SDHC) for local storage
- Wide Dynamic Range (WDR)
- Defog
- Motion detection
- Tampering alarm
- Text overlay
- Privacy mask
- IP address filtering
- DC 5V / PoE
- Megapixel lens
- Smart device access
- 31 languages on Web interface
- ONVIF (Profile S) conformant

\* No Memory Card Slot & local storage function for Argentina.

### Active Tampering Alarm

Tampered



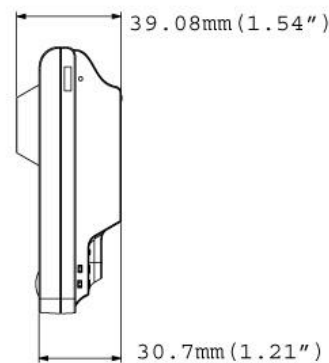
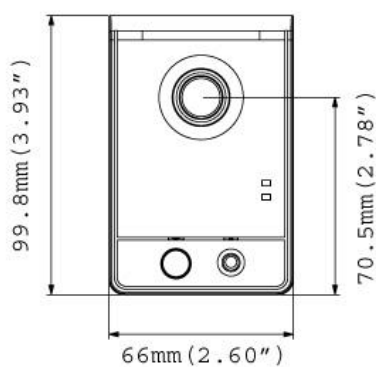
Focus Change



Camera Shift



### Dimensions



## Specifications

Camera		
Image Sensor		1/2.5" progressive scan CMOS
Picture Elements		1280 (H) x 1024 (V)
Minimum Illumination	Color	0.15 Lux
	B/W	0.10 Lux
	LED ON	0 Lux
Shutter Speed		Automatic, Manual (1/5 ~ 1/8000 sec.)
White Balance		Automatic, Manual (2800 ~ 8500K)
Gain Control		Automatic
S/N Ratio		45 dB
Lens		
Megapixel		Yes
Day/Night		Yes (electronic)
Lens Type		Fixed
Focal Length		3.35 mm
Maximum Aperture		F/2.4
Mount		M12 mm
Image Format		1/3"
Operation	Focus	Fixed
	Zoom	
	Iris	
Operation		
Video Compression		H.264, MJPEG
Video Streaming		Dual streams from H.264 and MJPEG
Frame Rate		30 fps at 1280 x 1024 * The frame rate and performance may vary depending on the number of connections and data bitrates (different scenes).
Image Setting		Brightness, Contrast, Saturation, Sharpness, Gamma, White Balance, Flicker-less, Image Orientation, Shutter Speed, Backlight Compensation, WDR, Defog
Audio Compression		G.711
Two-way Audio		Yes
Video Resolution		
Main Stream	4:3	1280 x 960, 640 x 480, 320 x 240
	16:9	1280 x 720, 640 x 360, 448 x 252
	5:4	1280 x 1024, 640 x 512, 320 x 256
Sub Stream	4:3	640 x 480, 320 x 240
	16:9	640 x 360, 448 x 252
	5:4	640 x 512, 320 x 256
Network		
Interface		10/100 Ethernet
Ethernet Protocol		HTTP, HTTPS, TCP, UDP, SMTP, FTP, DHCP, NTP, UPnP, DynDNS, 3GPP/ISMA, RTSP, PSIA, SNMP, QoS (DSCP), ONVIF (Profile S)
Mechanical		
Temperature Detector		No
Connectors	Power	DC Jack / PoE
	Ethernet	RJ-45
	Audio	Built-in speaker & microphone
	Local Storage	Micro SD card slot (SD/SDHC, SD version 2.0 only, Class 10) *SDXC and UHS-I card types are not supported.
LED Indicator		4 LEDs: Status x 3, LAN / Wi-Fi
PIR Sensor		Built-in
White Illumination LED		Yes
Max. PIR Sensor / White Illumination LED Distance		5 m (16.4 ft.)
General		
Environment Temperature		0 °C ~ 50 °C (32 °F ~ 122 °F)
Humidity		10% to 90% (no condensation)
Power Source		5V DC, PoE
Max. Power Consumption		7 W


General	
Dimensions	65.8 x 99.8 x 39 mm (2.59 x 3.92 x 1.54 ")
Weight	100 g (0.2 lb)
Regulatory	CE, FCC, C-Tick, RoHS compliant
Power over Ethernet	
PoE Standard	IEEE 802.3af Class 3 Power over Ethernet / PD
PoE Power Supply Type	End-Span
PoE Power Output	Per Port 48V DC, 350mA. Max. 15.4 watts
Web Interface	
Installation Management	Web-based configuration
Maintenance	Firmware upgrade through Web Browser or Utility
Access from Web Browser	Camera live View, Video Recording, Change Video Quality, Bandwidth Control, Image Snapshot, Audio, Picture in Picture, Picture and Picture, Privacy Mask, Tampering Alarm, Text Overlay, Digital PTZ
Language	Arabic / Bulgarian / Czech / Danish / Dutch / English / Finnish / French / German / Greek / Hebrew / Hungarian / Indonesian / Italian /Japanese / Lithuanian / Norwegian / Persian / Polish / Portuguese / Romanian / Russian / Serbian / Simplified Chinese / Slovakian / Slovenian / Spanish / Swedish / Thai / Traditional Chinese / Turkish
Applications	
Network Storage	GV-NVR, GV-System, GV-Backup Center, GV-Recording Server
Smart Device Access	GV-Eye for Android smartphone, tablet, iPhone, and iPod Touch GV-Eye HD for iPad
Live Viewing	IE, mobile phone
CMS Server support	GV-Control Center, GV-Center V2, GV-VSM

**Note:** Specifications are subject to change without notice.

## Packing List

- |                         |                                     |
|-------------------------|-------------------------------------|
| 1. Advanced Cube Camera | 5. GV-IPCAM H.264 Quick Start Guide |
| 2. Supporting Rack      | 6. GV-IPCAM H.264 Software CD       |
| 3. Screw x 3            | 7. GV-NVR Quick Start Guide         |
| 4. Screw Anchor x 3     | 8. GV-NVR Software DVD              |

## Accessories

Name	Details
	Weight: 130 g (0.29 lb) Dimensions (H x W x D): 43 x 69 x 40 mm (1.69 x 2.72 x 1.57")
GV-PA191 PoE Adapter	
Power Adapter	Power adapters are available in 4 regions: U.S.A., Australia, U.K and Europe.
GV-POE Switch	The GV-POE Switch is designed to provide power along with network connection for IP devices. The GV-POE Switch is available in various models with different numbers and types of ports.