

GV-PT320D 3MP H.264 WDR IR Pan Tilt IP Camera



- 3 megapixel progressive scan CMOS
- Dual streams from H.264 and MJPEG
- Up to 20 fps at 2048 x 1536
- Pan and tilt (Pan: -175° ~ 175°; Tilt: -45° ~ 90°)
- Input-triggered Preset points
- One sensor input and alarm output
- Built-in / external microphone
- Built-in micro SD card slot (SD/SDHC) for local storage
- Recording assigned by GV-Edge Recording Manager ([Windows](#), [Mac](#) version)
- DC 12 V / AC 24 V / PoE (IEEE 802.3af)
- Removable IR-cut filter for Day/Night function
- Intelligent IR
- Wide Dynamic Range (WDR)
- 2-way audio
- Motion detection
- Defog
- IP address filtering
- Supports iPhone, iPad, Android & 3GPP
- 31 languages on Web interface
- ONVIF (Profile S) conformant
- More storage option – [NAS](#)

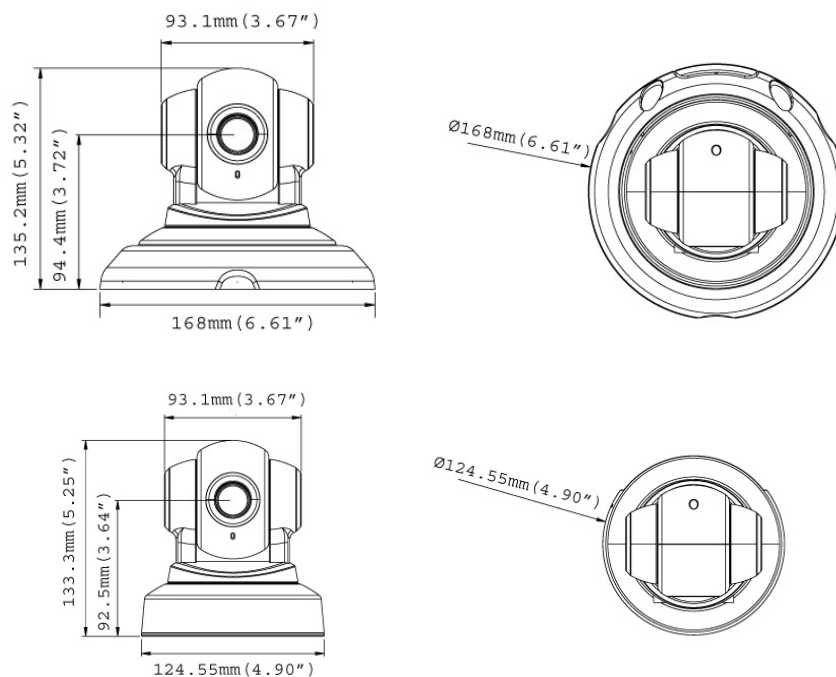
* No memory card slot & local storage function for Argentina.

Introduction

The GV-PT320D is an indoor pan and tilt camera that is designed to monitor a wide surveillance area. The camera supports remote pan and tilt control and is capable of storing pre-established panning/tilting movements and points on live view for immediate monitoring. Equipped with IR LEDs and IR-cut filter, the camera provides excellent image quality in the dark.

Overview

- Dimensions



- Panel



Specifications

Camera		
Image Sensor	1/2.5" progressive scan CMOS	
Picture Elements	2048 (H) x 1536 (V)	
Minimum Illumination	Color	0.15 Lux
	B/W	0.10 Lux
	IR ON	0 Lux
Shutter Speed	Automatic, Manual (1/5 ~ 1/8000 sec.)	
White Balance	Automatic, Manual (2800K ~ 8500K)	
Gain Control	Automatic	
S/N Ratio	45 dB	
BLC	Yes	
Lens		
Megapixel	Yes	
Day/Night	Yes (with removable IR-cut filter)	
Iris	Fixed	
Focal Length	4.0 mm	
Maximum Aperture	F/1.5	
Lens Mounting	M12, Pitch 0.5 mm	
Image Format	1/2.5"	
Horizontal FOV	62°	
Operation	Focus	Manual (w/lock)
	Zoom	Fixed
	Iris	Fixed
IR LED Quantity	10 IR LEDs	
Max. IR Distance	15 m (50 ft.)	
Operation		
Video Compression	H.264, MJPEG	
Video Stream	Dual Streams	

Operation			
Video Resolution	Main Stream	4:3	2048 x 1536, 1600 x 1200, 1280 x 960, 640 x 480, 320 x 240
		16:9	1920 x 1080, 1280 x 720, 640 x 360, 448 x 252
		5:4	1280 x 1024, 640 x 512, 320 x 256
	Sub Stream	4:3	640 x 480, 320 x 240
		16:9	640 x 360, 448 x 252
		5:4	640 x 512, 320 x 256
Frame Rate	20 fps at 2048 x 1536 *The frame rate and the performance may vary depending on the number of connections and data bitrates (different scenes).		
Image Setting	Brightness, Contrast, Sharpness, Gamma, White Balance, Flicker-less, Image Orientation, Shutter Speed, D/N sensitivity, Backlight Compensation, WDR, Defog		
Audio Compression	G.711, AAC (optional)		
Audio Support	Two-Way Audio		
Sensor Input	1 Input (Dry Contact)		
Alarm Output	1 Output		
Network			
Interface	10/100 Ethernet		
Protocol	HTTP, HTTPS, TCP, UDP, SMTP, FTP, DHCP, NTP, UPnP, DynDNS, 3GPP/ISMA, RTSP, PSIA, SNMP, QoS (DSCP), ONVIF (Profile S)		
Mechanical			
Temperature Detector	Yes		
Camera Angle Adjustment	Pan	-175° ~ 175°	
	Tilt	-45° ~ 90°	
Connectors	Power	2-pin terminal block, PoE	
	Ethernet	Ethernet (10/100 Base-T), RJ-45 cable	
	Audio	1 In (Using a built-in or an externally connected microphone) 1 Out (Stereo phone jack, 3.5 mm / 0.14")	
	Local Storage	Micro SD card slot (SD/SDHC, SD version 2.0 only, Class 10) * SDXC and UHS-I card types are not supported.	
	Digital I/O	3-pin terminal block (pitch 2.5 mm / 0.1")	
LED Indicator	2 LEDs: Power and Status		
General			
Environment Temperature	0 °C ~ 50 °C (32 °F ~ 122 °F)		
Humidity	10% to 90% (no condensation)		
Power Source	12V DC / 24V AC / PoE (IEEE 802.3af)		
Max. Power Consumption	12.5 W (max. 1.25A at 12V DC)		
Regulatory	CE, FCC, RCM, RoHS compliant		
Dimensions	With mounting base and cover	167.75 x 166.78 x 135.2 mm (6.6" x 6.57" x 5.32")	
	Without mounting base and cover	124.55 x 122.73 x 133.3 mm (4.9" x 4.83" x 5.25")	
Weight	440 g (0.97 lb)		
Regulatory	CE, FCC, C-Tick, RoHS compliant		
Power over Ethernet			
PoE Standard	PoE (IEEE 802.3af Power over Ethernet / PD)		
PoE Power Supply Type	End-Span		
PoE Power Output	Per Port 48V DC, 350mA. Max. 15.4 watts		
Web Interface			
Installation Management	Web-based configuration		
Maintenance	Firmware upgrade through Web Browser or Utility		
Access from Web Browser	Camera live view, video recording, change video quality, bandwidth control, image snapshot, audio, Picture in Picture, Picture and Picture, Text Overlay		
Language	Arabic / Bulgarian / Czech / Danish / Dutch / English / Finnish / French / German / Greek / Hebrew / Hungarian / Indonesian / Italian / Japanese / Lithuanian / Norwegian / Persian / Polish / Portuguese / Romanian / Russian / Serbian / Simplified Chinese / Slovakian / Slovenian / Spanish / Swedish / Thai / Traditional Chinese / Turkish		

Applications	
Network Storage	GV-System (GV-DVR/NVR), GV-Backup Center, GV-Recording Server, GV-VMS
Smart Device Access	GV-Eye for iOS and Android
Live Viewing	IE, mobile phone
CMS Server support	GV-Center V2, GV-Vital Sign Monitor, GV-Control Center

Note:



1. Specifications are subject to change without notice.
2. Mind the following when using an inserted memory card for recording:
 - Recorded data on the memory card can be damaged or lost if the data are accessed while the camera is under physical shock, power interruption, memory card detachment or when the memory card reaches the end of its lifespan. No guarantee is provided for such causes.
 - The stored data can be lost if the memory card is not accessed for a long period of time. Back up your data periodically if you seldom access the memory card.
 - Memory cards are expendable and their durability varies according to the conditions of the installed site and how they are used. Back up your data regularly and replace the memory card annually.
 - To avoid power outage, it is highly suggested to apply a battery backup (UPS).
 - For better performance, it is highly suggested to use Micro SD card of MLC NAND flash, Class 10.
 - Replace the memory card when its read/write speed is lower than 6 MB/s or when the memory card is frequently undetected by the camera.

Packing List

- | | |
|-----------------------|---------------------------------|
| 1. PT Camera | 8. Round Screw x 3 |
| 2. Mounting Base | 9. Terminal Block x 1 |
| 3. Mounting Cover | 10. Washer x 3 |
| 4. Wall Mount Bracket | 11. Power Adapter |
| 5. Screw Anchor x 3 | 12. GV-IPCAM H.264 Software DVD |
| 6. Long Screw x 3 | 13. GV-NVR Software DVD |
| 7. Short Screw x 3 | 14. Warranty Card |

Note: The power adapter can be excluded upon request.

Accessories

Name	Details
GV-PA191 PoE Adapter 	Weight: 130 g (0.29 lb) Dimensions (H x W x D): 43 x 69 x 40 mm (1.69" x 2.72" x 1.57")
GV-Relay V2 	The GV-Relay V2 is designed to expand the voltage load of GV IP devices. It provides 4 relay outputs, and each can be set as normally open (NO) or normally closed (NC) independently as per your requirement.
Power Adapter	Contact your sales representative for the countries and areas supported.
GV-POE Switch	The GV-POE Switch is designed to provide power along with network connection for IP devices. The GV-POE Switch is available in various models with different numbers and types of ports.