

GV-SD220 (20x / 30x) PoE Indoor Full HD IP Speed Dome



- 1/2.8" progressive scan CMOS sensor
- Full HD 1080p at up to 30 fps and 720p at up to 60 fps
- 20x / 30x optical zoom and 12x digital zoom
- Wide Dynamic Range Pro (WDR Pro)
- Day and night function with IR-cut filter
- 2-way audio
- Built-in micro SD card slot (SD/SDHC) for local storage
- 4 digital inputs, 1 relay output
- DC 24V / AC 24V / PoE+ (IEEE 802.3at)
- Pan 360° endlessly
- Tilt from 0° to 180°
- Preset speed at up to 400° /sec
- PTZ movement (Preset, Sequence, Auto Pan, Cruise and Tour)
- PTZ movements by schedule
- Auto and manual PTZ calibration
- Auto focus
- Backlight Compensation
- Image noise reduction
- Motion detection
- Privacy Mask
- Dual streams from H.264 and MJPEG
- Smart phones & 3GPP support
- 31 languages on Web interface
- ONVIF (Profile S) conformant

* No memory card slot & local storage function for Argentina

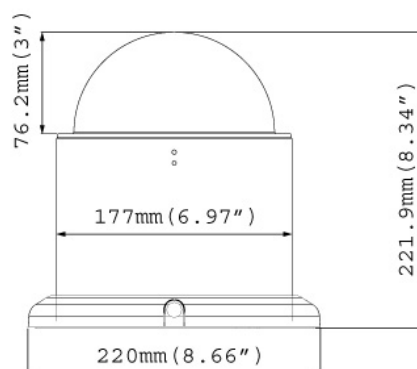
Introduction

The GV-IP Speed Dome (GV-SD220) is a network PTZ camera designed for image quality and adaptability in various environments. This camera offers image of 1080p at 30 fps, 720p at 60 fps and 20x / 30x optical zoom, capable of showing smooth live view with great detail. In low-light environments, image quality is promised with its image processing tools, such as IR-cut filter (ICR), Wide Dynamic Range Pro (WDR Pro), Backlight Compensation and noise reduction.

Wide surveillance coverage is made possible with 360° endless panning and 180° tilting capacity. Dome movements such as Preset, Sequence, Auto Pan, Cruise and Tour can be programmed and activated by schedule. You can create multiple dome movement modes and have different modes enabled at different time slots. The GV-IP Speed Dome provides variable pan/tilt speeds ranging from a fast patrol of 400° per second to a slow ramble of 0.5° per second with 0.2° pan accuracy for fast and accurate tracking ability.

The GV-IP Speed Dome comes with an indoor model, an outdoor model and also optional mounting kits for outdoor installations on wall, ceiling and pole.

Dimensions



Specifications

| Camera | | |
|-------------------------|---|--|
| Image Sensor | 1/2.8" progressive scan CMOS | |
| Optical Zoom | 20x / 30x | |
| Digital Zoom | 12x | |
| Picture Elements | 1920 (H) x 1080 (V) | |
| Minimum Illumination | Color | 0.05 Lux at F/1.6 |
| | B/W | 0.005 Lux at F/1.6 |
| Electronic Shutter | 1/1 ~ 1/10000 sec. | |
| White Balance | Auto / Manual | |
| Iris Control | Auto / Manual | |
| AGC control | Auto / Manual | |
| S/N Ratio | 50 dB (AGC Off) | |
| WDR Pro | Yes (with WDR sensor) | |
| Dynamic Range | Up to 100 dB | |
| Optical Lens | | |
| Megapixel | Yes | |
| Day / Night | Yes (with removable IR-cut filter) | |
| Focal Length | 20x | 4.7 ~ 94 mm |
| | 30x | 4.3 ~ 129 mm |
| Operation | Focus | Auto / Manual |
| | Zoom | 20x / 30x |
| | Iris | Auto / Manual |
| Video | | |
| Video Compression | H.264, MJPEG | |
| Video Streaming | Dual streams | |
| Video Resolution | 16:9 | 1920 x 1080, 1280 x 720, 640 x 360, 448 x 252 |
| Frame Rate | 30/25 fps (60/50 Hz) at 1920 x 1080 60/50 fps (60/50 Hz) at 1280 x 720 | |
| Audio | | |
| Audio Compression | G.711, AAC (optional) | |
| Audio Support | Two-way Audio | |
| Network | | |
| Interface | 10/100M Ethernet | |
| Protocol | DHCP, DynDNS, FTP, HTTP, HTTPS, NTP, ONVIF (Profile S), QoS (DSCP), RTSP, SMTP, SNMP, TCP, UDP, UPnP, 3GPP/ISMA | |
| Mechanical | | |
| Temperature Detector | Yes | |
| Connectors | Power | DC Jack, PoE |
| | Ethernet | 10/100 Base-T, RJ-45 cable |
| | Audio | 1 in (RCA female for microphone); 1 out (RCA female for speaker) |
| | Local Storage | Micro SD card slot (SD/SDHC, SD version 2.0 only, Class 10) *SDXC and UHS-I card types are not supported. |
| | Digital I/O | I/O wires |
| Operation | | |
| Pan Travel | 360° endless | |
| Tilt Travel | 0° ~ 180° | |
| Manual Speed | 0.5° ~ 400°/s | |
| Calibration | Auto / Manual | |
| Presets | Max. Number | 255 |
| | Accuracy | 0.2° |
| Sequence | Max. Number | 8 |
| | Max. Presets Allowed | 16 |
| Auto Pan | 8 | |
| Cruise | 4 | |
| Tour | Max. Number | 8 |
| | Max. Number of Preset / Sequence / Auto Pan / Cruise | 16 |
| Privacy Mask | 8 | |
| Proportional Pan & Tilt | Auto (Pan and tilt speed proportional to zoom ratio) | |

| Operation | | |
|-------------------------------------|--|--|
| Automatic Function | Preset, Sequence, Auto Pan, Cruise, Tour | |
| Mechanical Flip | On / Off | |
| Digital Slow Shutter | On / Off | |
| Motion Detection | On / Off | |
| Wide Dynamic Range | On / Off | |
| Day/Night: Mechanical IR Cut Filter | On / Off | |
| Picture Flip | On / Off | |
| Image Freeze | On / Off | |
| Digital Noise Reduction | On / Off | |
| Alarm | Input | 4 |
| | Output | 1 |
| | Reaction | Preset, Sequence, Auto Pan, Cruise, Tour |
| General | | |
| Operating Temperature | -10°C ~ 50°C (14°F ~ 122°F) | |
| Fan On | 35°C (95°F) | |
| Humidity | 20% ~ 90% (non-condensing) | |
| Dimensions | Ø 177 x 221.9 mm (7" x 8.8") | |
| Weight | 3.2 Kg (7.1 lb) | |
| Power Source | 24V AC ± 10%, 3A / 24V DC ± 10%, 3.75A / PoE+ (IEEE 802.3at) | |
| Power Consumption | 30 W | |
| Regulatory | CE, FCC, RCM, RoHS | |
| Power over Ethernet | | |
| PoE Standard | PoE+ (IEEE 802.3at Power over Ethernet / PD) | |
| PoE Power Supply Type | End-Span | |
| PoE Power Output | DC 48V, 1A (Max. 30 W) | |
| Web Interface | | |
| Installation Management | Web-based configuration | |
| Maintenance | Remote upgrade through Web Browser, IP Device Utility included in the Software CD | |
| Access from Web Browser | Live View, Video Recording, PTZ Control, Preset, Sequence, Cruise, Auto Pan, Tour, Image Quality, Bandwidth Control, Image Snapshot, I/O Control, 2-way Audio, Picture-in-Picture (PIP), Picture-and-Picture (PAP), Text Overlay, Image Masking | |
| Language | Arabic / Bulgarian / Czech / Danish / Dutch / English / Finnish / French / German / Greek / Hebrew / Hungarian / Indonesian / Italian / Japanese / Lithuanian / Norwegian / Persian / Polish / Portuguese / Romanian / Russian / Serbian / Simplified Chinese / Slovakian / Slovenian / Spanish / Swedish / Thai / Traditional Chinese / Turkish | |
| Applications | | |
| Network Storage | GV-NVR, GV-System, GV-Backup Center, GV-Recording Server | |
| Smart Device Access | GV-Eye for iOS and Android | |
| Live Viewing | Browser (IE, Chrome, Firefox, Safari), Mobile Phone | |
| CMS Server support | GV-Control Center, GV-Center V2, GV-VSM | |

Note:

- Specifications are subject to change without notice.
- Do not use clothes or any ordinary material to clean the camera cover since they may result in scratches.
- Mind the following when using an inserted memory card for recording:
 - Recorded data on the memory card can be damaged or lost if the data are accessed while the camera is under physical shock, power interruption, memory card detachment or when the memory card reaches the end of its lifespan. No guarantee is provided for such causes.
 - To avoid power outage, it is highly suggested to apply a battery backup (UPS).
 - For better performance, it is highly suggested to use Micro SD card of MLC NAND flash, Class 10.
 - Replace the memory card when its read/write speed is lower than 6 MB/s or when the memory card is frequently undetected by the camera.

Packing List

- | | |
|----------------------------------|---------------------------------|
| 1. GV-SD220 Indoor IP Speed Dome | 4. GV-IP Speed Dome Software CD |
| 2. Hard Ceiling Cover | 5. GV-NVR Software DVD |
| 3. Mounting Plate | 6. Warranty Card |

Note: Power adapters can be purchased upon request.

Accessories

| Part Number | Name | Details |
|-------------|--|--|
| GV-Mount907 | In-Ceiling Mounting Kit |  <p>Dimensions: Ø 230 x 153.49 mm (Ø 9.08" x 6.05") Weight: 0.87 kg (1.91 lb)</p> |
| | DC 24V Power Adapter 100-240V AC US |  <p>Dimensions (L x W): 132.75 x 58.6 mm (5.23" x 2.3") Weight: 0.39 kg (0.86 lb) Input: 100 to 240V AC 2.5A 50-60Hz Output: 24V DC 3.75 A</p> |
| | DC 24V Power Adapter 100-240V AC AU | |
| | DC 24V Power Adapter 100-240V AC AR | |
| | DC 24V PowerAdapter 100-240V AC EU | |
| | DC 24V Power Adapter 100-240V AC JU | |
| | DC 24V Power Adapter 100-240V AC UK | |